



SIMPLY STAINLESS

Modular Sinks, Tables & Shelving



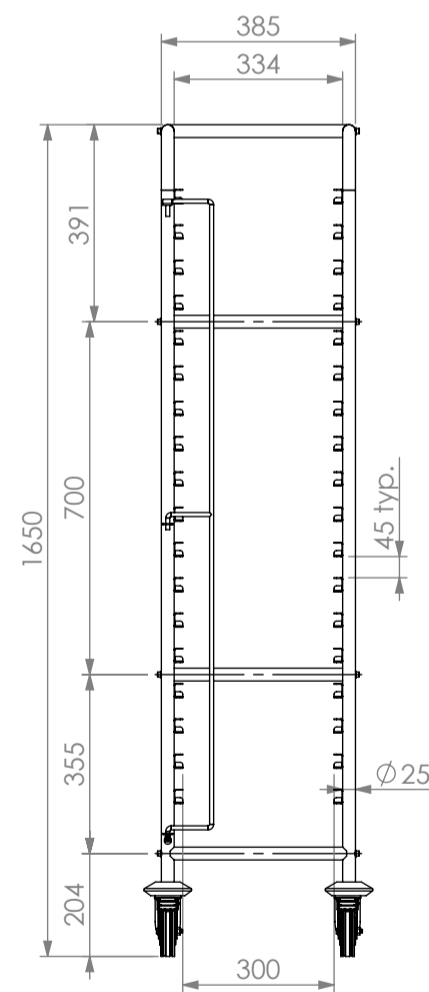
16-1/1



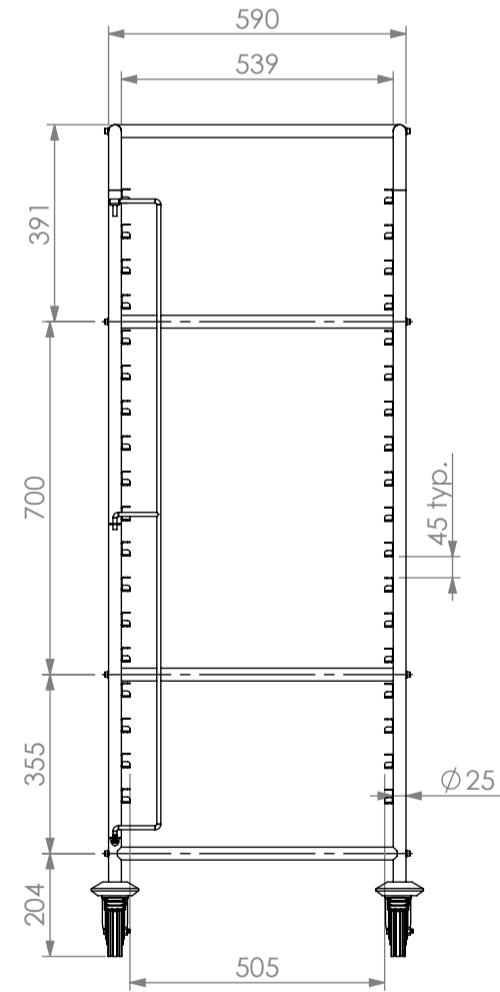
16-1/1 LH



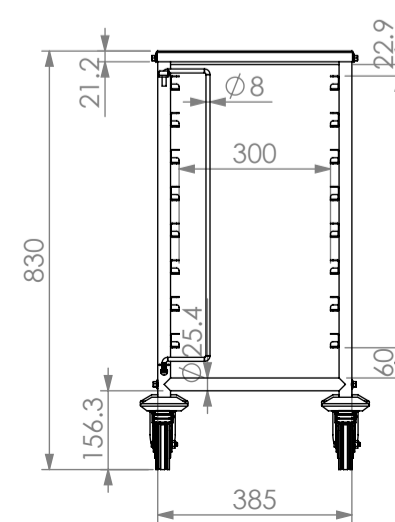
16-2/1



16-1/1



16-2/1



16-1/1 LH

SPECIFICATION

Frames	- Ø25mm round stainless steel tube fully welded. - Castors Ø100mm grey rubber 2x locking & 2x non-locking.
Runners	- High quality stainless steel. - 1.2mm gauge, no. 4 Finnish. - Fully welded.

Mobile Gastronorm Rack Trolley			
Product Code	Dimensions (mm)	Unit weight (Kg)	
16-1/1	570x385x1650	23	16
16-2/1	680x590x1650	27	
16-1/1 LH	574x390x830	14	

